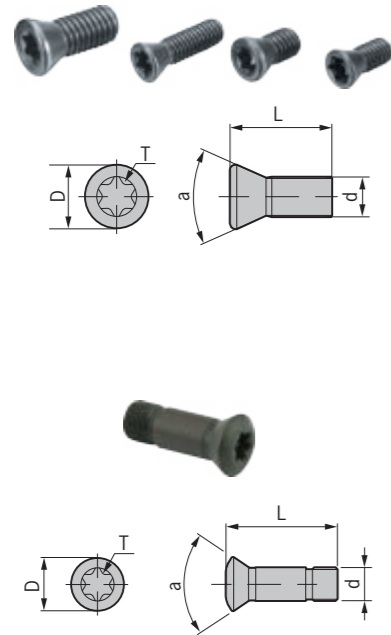
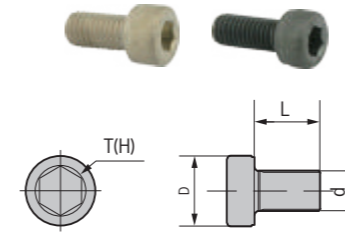


Insert Screw  
刀片螺釘



型號 Specification	D	d	L	a	扳手 Wrench
M020W040	2.7	2	4	55	Q06
M020W050	2.7	2	5	65	Q06
M022W050	3	2.2	5	60	Q08
M025W050	3.5	2.5	5	45	Q08
M025W060	3.5	2.5	6	55	Q08
M025W070	3.5	2.5	7	45	Q08
M030W070	4	3	7	55	Q08
M035W090	5	3.5	9	55	Q15
M040W090	5.5	4	9	55	Q15
M030Y060	4	3	6	50	Q08
M030Y070-1	4	3	7	50	Q08
M030Y070-2	4.5	3	7	55	Q10
M030D075	4.5	3	7.5	60	Q08
M030D095	4.5	3	9.5	60	Q08
M035R080-1	5.2	3.5	8	60	Q15
M035D080-2	5.2	3.5	8	60	Q15
M035T085	5.2	3.5	8.5	55	Q15
M040S080-1	5.7	4	8	60	Q15
M040R080-2	5	4	8	45	Q15
M040D080-3	5.7	4	8	55	Q15
M040R090	5	4	9	38	Q15
M040S100-1	5.7	4	10	60	Q15
M040R100-2	6	4	10	55	Q15
M040D110	5.5	4	11	55	Q15
M040S120	5.7	4	12	60	Q15
M045Y110	7	4.5	11	50	Q15
M050Y110-1	7	5	11	45	Q20
M050Y110-2	6.5	5	11	40	Q20
M050Y110-3	7	5	11	50	Q20
M050Y110-4	7.2	5	11	55	Q20
M050Y120-1	7.2	5	12	60	Q20
M050Y120-2	7.2	5	12	55	Q20
M050Y120-3	7.2	5	12	60	Q20
M030W070-4R	4.2	3	7	60	Q08
M040W090-5R	5.7	4	9	60	Q15
M050W090-6R	6.8	5	9	60	Q20
M050W130-8R	7.4	5	13	60	Q20
M050W170-10R	8	5	17	60	Q20
M060W210-12.5R	9.5	6	21	60	T30M
M080W250-15R	12	8	25	60	T30M

Locking Screw  
內六角螺釘



型號 Specification	D	d	L	扳手 Wrench
E030U080	5.5	3	8	L025
E040U100	7	4	10	L03
E040U160	7	4	16	L03
E040U200	7	4	20	L03
E050U100	8.5	5	10	L04
E050U120	8.5	5	12	L04
E050U160	8.5	5	16	L04
E050U200	8.5	5	20	L04
E050U300	8.5	5	30	L04
E050U350	8.5	5	35	L04
E050U450	8.5	5	45	L04
E050U650	8.5	5	65	L04
E050U800	8.5	5	80	L04
E050U1300	8.5	5	130	L04
E060U120	10	6	12	L05
E060U160	10	6	16	L05
E060U200	10	6	20	L05
E060U250	10	6	25	L05
E060U600	10	6	60	L05
E060U900	10	6	90	L05
E080U100	12.5	8	10	L06
E080U160	12.5	8	16	L06
E080U200	12.5	8	20	L06
E080U250	12.5	8	25	L06
E080U300	12.5	8	30	L06
E080U350	12.5	8	35	L06
E080U800	12.5	8	80	L06
E080U850	12.5	8	85	L06
E080U1200	12.5	8	120	L06
E100U160	15	10	16	L08
E100U200	15	10	20	L08
E100U250	15	10	25	L08
E100U300	15	10	30	L08
E100U350	15	10	35	L08
E100U1100	15	10	110	L08
E120U250	18	12	25	L10
E120U300	18	12	30	L10
E120U400	18	12	40	L10
E120U500	18	12	50	L10
E160U250	24	16	25	L12
E160U350	24	16	35	L12

附件  
Accessories

車刀配件  
Accessories  
for turning system

通用配件  
Universal accessories

周邊配件  
ACCESSORIES

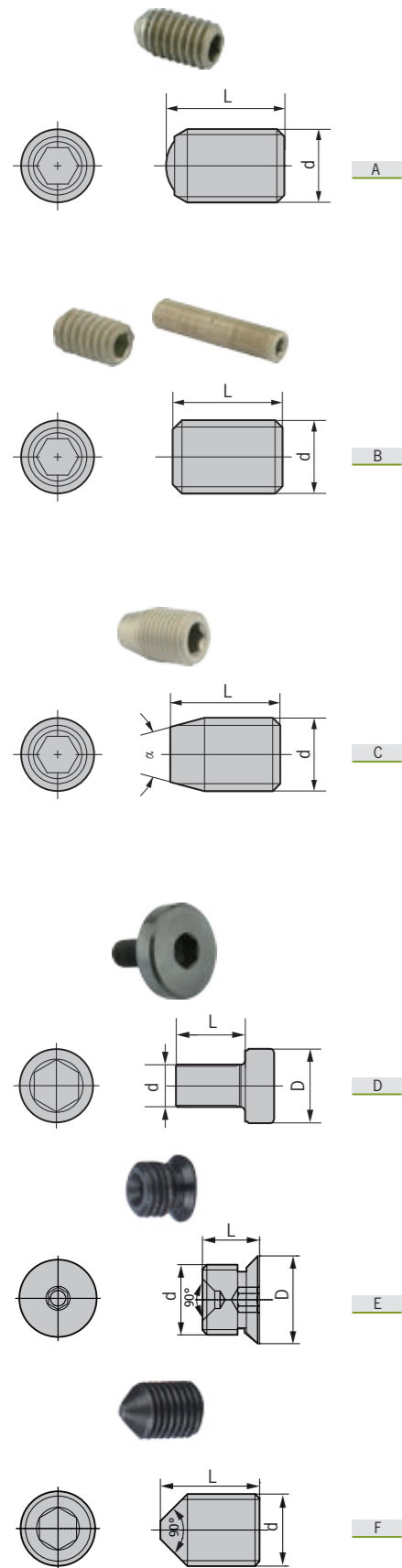
附件  
Accessories

車刀配件  
Accessories  
for turning system

通用配件  
Universal accessories

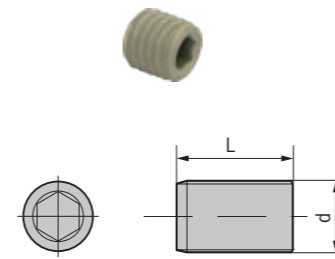
周邊配件  
ACCESSORIES

Locking Screw  
專用內六角螺釘



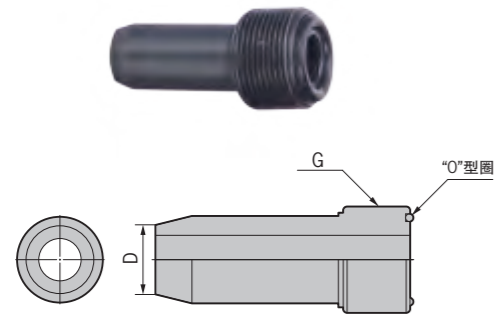
型號 Specification	專用 For	圖示 Figure	d	L	$\alpha$	D	扳手 Wrench
M040U080-90-D	FBH	B	4	8	-	-	T02
M050U100-90-D	FBH	B	5	10	-	-	T025
M050U160-90-D	FBH	B	5	16	-	-	T025
M100U160-90-D	FBH	B	10	16	-	-	T05
M100U200-90-D	FBH	B	10	20	-	-	T05
M100U250-90-D	FBH	B	10	25	-	-	T05
M050Z090P-LH	ABH	B	5	9	-	-	T025
M060Z125P-LH	ABH	B	6	12.5	-	-	T03
M060Z160P-LH	ABH	B	6	16	-	-	T03
M080Z205P-LH	ABH	B	8	20.5	-	-	T04
M080Z250P-LH	ABH	B	8	25	-	-	T04
M080Z350P-LH	ABH	B	8	35	-	-	T04
M050Z050-30P	DCK刀柄	C	5	5	30	-	L025
M050Z060-30P	DCK刀柄	C	5	6	30	-	L025
M060Z090-30P	DCK刀柄	C	6	9	30	-	L03
M080Z120-30P	DCK刀柄	C	8	12	30	-	L04
M100Z160-30P	DCK刀柄	C	10	16	30	-	L05
M120Z200-30P	DCK刀柄	C	12	20	30	-	L06
M040Z048Q	CBH	A	4	4.8	-	-	L02
M040Z060Q	CBH	A	4	6	-	-	L02
M050Z080Q	CBH	A	5	8	-	-	L025
M060Z100Q	CBH	A	6	10	-	-	L03
M080Z145Q	CBH	A	8	14.5	-	-	L04
M100Z160Q	CBH	A	10	16	-	-	L05
M100Z110Q	CBH	A	10	11	-	-	L05
M180Z130P	SLN	B	18	13	-	-	L10
M180Z160P	SLN	B	18	16	-	-	L10
M180Z180P	SLN	B	18	18	-	-	L10
M200Z180P	SLN	B	20	18	-	-	L10
M200Z200P	SLN	B	20	20	-	-	L10
E100Z300-MTB	MTB	D	10	30	-	-	L05
E160Z400-MTB	MTB	D	16	40	-	-	L08
E160Z350-40	FMA/B	D	16	35	-	40	L17
E160Z500-40	FMA/B	D	16	50	-	40	L17
E160Z350-50	FMA/B	D	16	35	-	50	L17
E160Z500-50	FMA/B	D	16	50	-	50	L17
E240Z500-65	FMA/B	D	24	50	-	65	L17
M060Z050P-N	ABS25	E	6	5	-	8	T02
M080Z065P-N	ABS32	E	8	6.5	-	10	T025
M100Z080P-N	ABS40	E	10	8	-	12.5	T03
M120Z085P-N	ABS50	E	12	8.5	-	15	T04
M160Z120P-N	ABS63	E	16	12	-	20	T05
M200Z138P-N	ABS80	E	20	13.8	-	24.5	T06
M240Z185P-N	ABS100	E	24	18.5	-	29.5	T08
M300Z230P-N	ABS125	E	30	23	-	38.5	T10
M060Z085P-W	ABS25	F	6	8.5	-	-	T03
M080Z110P-W	ABS32	F	8	11	-	-	T04
M100Z140P-W	ABS40	F	10	14	-	-	T05
M120Z165P-W	ABS50	F	12	16.5	-	-	T06
M160Z205P-W	ABS63	F	16	20.5	-	-	T08
M200Z260P-W	ABS80	F	20	26	-	-	T10
M240Z275P-W	ABS100	F	24	27.5	-	-	T12
M300Z370P-W	ABS125	F	30	37	-	-	T14

Locking Screw  
緊定螺釘



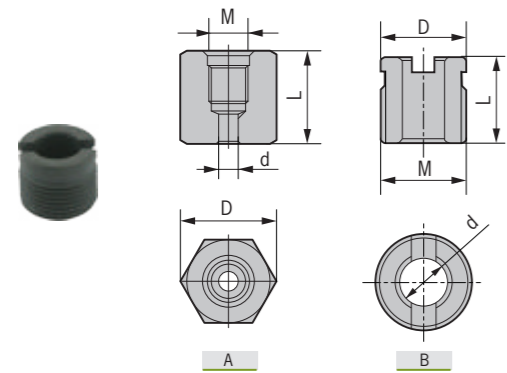
型號 Specification	d	L	扳手 Wrench
M060U080	6	8	L03
M080U080	8	8	L04
M080U100	8	10	L04
M100U100	10	10	L05
M100U120	10	12	L05
M120U140	12	14	L06
M120U160	12	16	L06
M120U200	12	20	L06
M140U160	14	16	L06
M140U200	14	20	L06
M160U160	16	16	L08
M160U250	16	25	L08
M030U060-D	3	6	T015
M040U040-D	4	4	T02
M040U050-D	4	5	T02
M040U060-D	4	6	T02
M040U080-D	4	8	T02
M040U100-D	4	10	T02
M040U120-D	4	12	T02
M040U160-D	4	16	T02
M040U200-D	4	20	T02
M050U060-D	5	6	T025
M050U080-D	5	8	T025
M050U200-D	5	20	T025
M050U300-D	5	30	T025
M060U060-D	6	6	T03
M060U080-D	6	8	T03
M060U100-D	6	10	T03
M060U120-D	6	12	T03
M060U160-D	6	16	T03
M060U200-D	6	20	T03
M060U400-D	6	40	T03
M060U500-D	6	50	T03
M080U100-D	8	10	T04
M080U120-D	8	12	T04
M080U160-D	8	16	T04
M080U200-D	8	20	T04
M080U300-D	8	30	T04
M100U120-D	10	12	T05
M100U140-D	10	14	T05
M100U160-D	10	16	T05
M100U200-D	10	20	T05
M100U250-D	10	25	T05
M120U120-D	12	12	T06
M120U140-D	12	14	T06
M120U200-D	12	20	T06
M120U250-D	12	25	T06
M120U300-D	12	30	T06

Coolant Pipe  
填充管



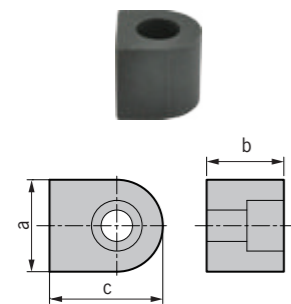
型號 Specification	D	G	扳手 Wrech
HSK 40-CPA	8	M12X1.0P	WCPA40
50-CPA	10	M16X1.0P	WCPA50
63-CPA	12	M18X1.0P	WCPA63
100-CPA	16	M24X1.5P	WCPA100

For DC Slim Collet Chuck  
止動螺母



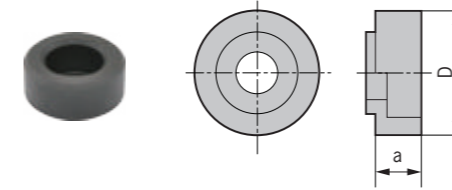
型號 Specification	圖示 Figure	對應刀具 For	D	d	L	M
ZD4-1	A	DC	20.5	4	19	M8X1-LH
ZD4-2	B	DC	8	3.8	10.5	M8X0.75-LH
ZD6-1	B	DC	10	5	13	M10X1-LH
ZD6-2	A	DC	20	5.2	20	M12X1.5-LH
ZD8-1	B	DC	12	6.3	12	M12X1-LH
ZD10-1	B	DC	14	8.2	12	M14X1-LH
ZD10-2	B	DC	16	8.5	13	M16X1.5-LH
ZD12-1	B	DC	17	10.3	13	M16X1.5-LH

For Face Mill Arbor  
鍵銷



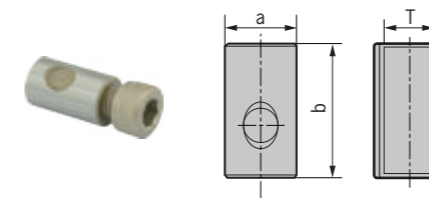
型號 Specification	對應刀具 For	a	b	c
A254-1-9.5*9.5*10.5	FMA	9.5	9.5	10.5
A254-2-9.5*9.5*18	FMA FMA-BG	9.5	9.5	18
A317-1-12.7*12.7*12.5	FMA FMA-BG	12.7	12.7	12.5
A317-2-12.7*12.7*16.5	FMA	12.7	12.7	16.5
A317-3-12.7*12.7*21.7	FMA	12.7	12.7	21.7
A317-4-12.7*12.7*31.5	FMA FMA-BG	12.7	12.7	31.5
A381-1-15.87*15.87*18.5	FMA	15.87	15.87	18.5
A400-3-26*25*25.4	FMA	26	25	25.4
A508-1-19.05*16.55*19.55	FMA	19.05	16.55	19.55
B220-1-10*10*10.5	HSK-A-FMB FMB	10	10	10.5
B220-2-10*10*18.3	FMB FMB-BG	10	10	18.3
B270-1-12*12*14.5	FMB	12	12	14.5
B270-2-12*12*20.8	HSK-A-FMB FMB	12	12	20.8
B320-1-14*14*21.5	FMB	14	14	21.5
B400-1-16*16*17.5	FMB	16	16	17.5
B400-2-16*16*19.5	FMB	16	16	19.5
B600-1-25.4*25*25.4	HSK-A-FMB FMB	25.4	25	25.4

Washer For Face Mill Arbor  
墊圈



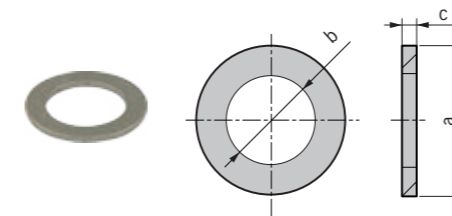
型號 Specification	對應刀具 For	a	D
FM-1	FMB	16	33
FM-2	FMA FMB	20.5	40
FM-3	FMA FMB	20.5	50

For FBH Tools  
過度螺母



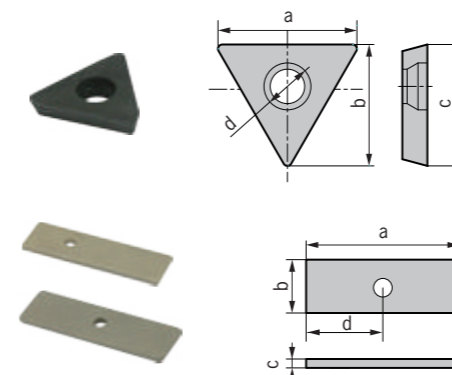
型號 Specification	對應刀具 For	a	b	T
BM6	FBH	6	11	M5
BM7	FBH	8	13	M5
BM8	FBH	16	19	M10

Washer For ABH/DBH Boring Tool  
墊片



型號 Specification	對應刀具 For	a	b	c
7.2*4.3*0.5	ABH	7.2	4.3	0.5
8.5*4.3*0.5	ABH	8.5	4.3	0.5
10.3*6.5*0.5	ABH	10.3	6.5	0.5
13.2*8.5*0.8	ABH	13.2	8.5	0.8
8.8*5.3*1.5	DBH	8.8	5.3	1.5
10.3*6.5*1.5	DBH	10.3	6.5	1.5
13.2*8.5*1.5	DBH	13.2	8.5	1.5
16.5*10.5*1.8	DBH	16.5	10.5	1.8
19.5*12.5*2	DBH	19.5	12.5	5.2

Shim  
墊片

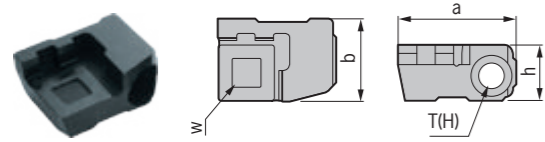


型號 Specification	對應刀具 For	a	b	c	d
MT2204	TP90	17	15	-	4.5
DP-1	BST-DBH	50	15	3.5	2.5
DP-2	BST-CBH	50	15	3.5	1.5

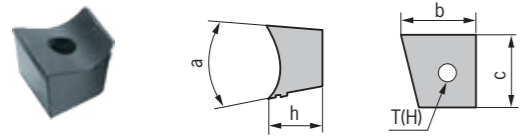
附件  
Accessories  
車刀配件  
Accessories  
for turning system  
通用配件  
Universal accessories  
周邊零件  
ACCESSORIES

附件  
Accessories  
車刀配件  
Accessories  
for turning system  
通用配件  
Universal accessories  
周邊零件  
ACCESSORIES

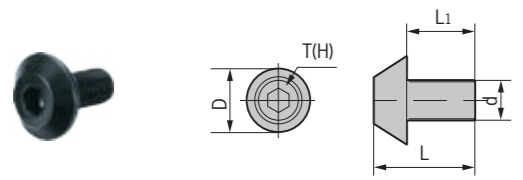
Insert Seat / Clamp  
刀片座/壓板



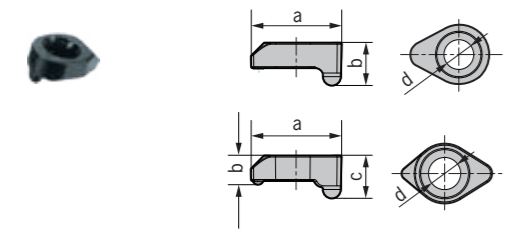
型號 Specification	a	b	h	w	T(H)
FC3050-TP2204-90	30	19	12	TPG2204	4
FC2550-SE1203-45	25	18	12	SEG1203	4
FC2550-SE1504-45	25	18	12	SEG1504	4
FC2550-SP1203-75	25	18	12	SPG1203	4
FC2550-SP1504-75	25	18	12	SPG1504	4



型號 Specification	b	c	h	a	T(H)
SV-128170-15-45	17	12.8	17.5	15°	6
SV-128170-15-75	17	12.8	19.5	15°	8
SV-128170-15-90	18.8	13.8	13	15°	6

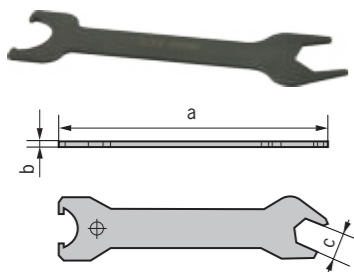


型號 Specification	d	D	L1	L	T(H)
M050H080-TP	5	12	8	12	L03D
M060H080-TP	6	13.5	8	12	L04D
M060H120-TP	6	13.5	12	16.5	L04D
M080H120-TP	8	18	12	16.5	L05D
M080H160-TP	8	18	16	21	L05D



型號 Specification	a	b	c	d
YD-13	13	6	-	35
YD-14	14	6	-	4
YD-16	16	6	-	5
YS-34	10	3.4	3.8	3
YS-39	10.4	3.9	4.7	4
YS-43	12.2	4.3	6	4
YS-52	13.5	5.2	5.7	5

Wrench For DYD Boring Tool  
扳手



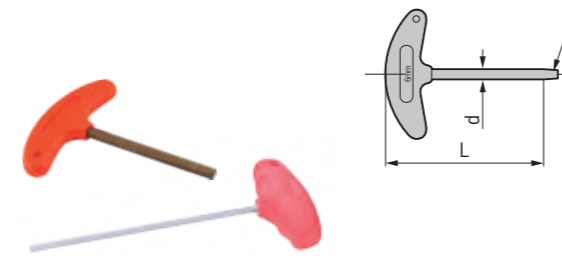
型號 Specification	對應刀具 For	a	b	c
DCK1-DYD19	DYD	84	1.5	8
DCK1-DYD22	DYD	84	1.5	8
DCK2-DYD29	DYD	110	1.5	10
DCK3-DYD38	DYD	118	2	17
DCK4-DYD48	DYD	118	2	17
DCK5-DYD62	DYD	148	2.5	22
DCK6-DYD82	DYD	150	2.5	22
DCK6-DYD105	DYD	160	2.5	30
DCK6-DYD135	DYD	160	2.5	30

Wrench - Flag  
旗形星形扳手



型號 Specification	d	L	T
Q06	2.5	84	6
Q08	3	86	8
Q10	3	90	10
Q15	5	94	15
Q20	5	94	20

Wrench - T  
T形扳手



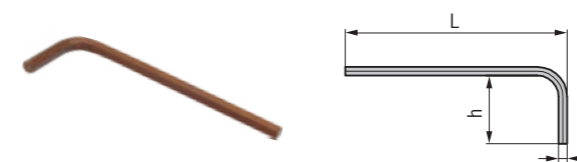
型號 Specification	d	L	T
T02	2	58	2
T025	2.5	66	2.5
T03	3	72	3
T04	4	76	4
T05	5	92	5
T06	6	102	6
T03-L	3	110	3
T04-L	4	120	4
T05-L	5	150	5
T06-L	6	170	6
T08-L	8	190	8
T30M	6	120	30

Wrench - Star  
直柄星形扳手



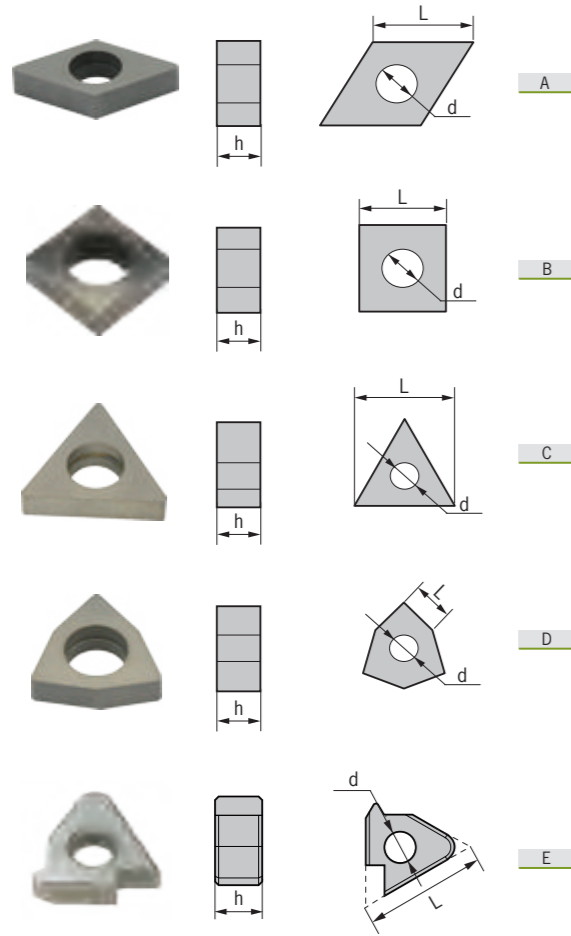
型號 Specification	d	L	T
T6-Z	2.5	92	6
T8-Z	3	94	8
T10-Z	3	98	10
T15-Z	5	102	15
T20-Z	5	102	20

Allen Key  
L形扳手



型號 Specification	d	L	h
L02	2	52	12
L025	2.5	60	15
L03	3	65	20
L04	4	70	25
L05	5	78	28
L06	6	85	32

Shim For Turning Tool Holder  
車刀刀墊



型號 Specification	圖示 Figure	d	h	L
MD1103	A	6	3	11
MD1504	A	6	4	15
MD1506	A	6	6	15
MC1204	A	8	4	12
MC1604	A	8	4	16
MC1904	A	8	4	19
MV1603	A	8	3	16

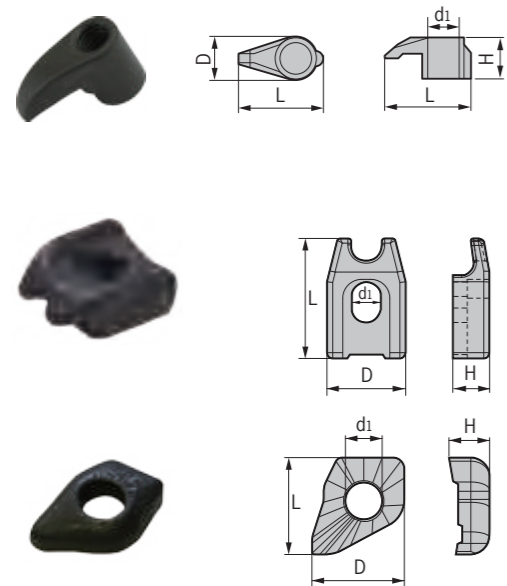
型號 Specification	圖示 Figure	d	h	L
MS1204	B	6	4	12
MS1504	B	10	4	15
MS1904	B	11	4	19

型號 Specification	圖示 Figure	d	h	L
MT1603	C	6	3	16
MT2204	C	8	4	22

型號 Specification	圖示 Figure	d	h	L
MW0603	D	6	3	6
MW0804	D	6	4	8

型號 Specification	圖示 Figure	d	h	L
YE(I)16	E	4.3	3.18	16.45
YE22(R)	E	5.2	3.97	21.65
YI22(L)	E	5.2	3.97	21.65
YE27(R)	E	6.1	5.5	27
YI27(L)	E	6.1	5.5	27

Clamp For Turning Tool Holder  
車刀壓板

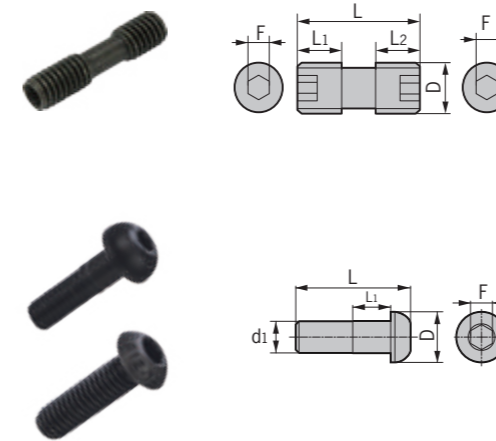


型號 Specification	D	d1	L	H
MY0515	7.8	5	14.7	10.6
MY0515-A	7.8	5	14.7	9.6
MY0619	8.6	6	18.15	7.7
MY0621	9.5	6	21.5	13.2
MY0819	11	8	19.1	14.2
MY0823	11	8	22.5	15.8
MY0826	11	8	25.5	16.8

型號 Specification	D	d1	L	H
WYT16	16	6	18.05	6.5
WYW08	17	8	19.66	7.2

型號 Specification	D	d1	L	H
GYR/L	14.5	6.5	18	7.2

Clamp Screw For Turning Tool Holder  
車刀壓板螺釘

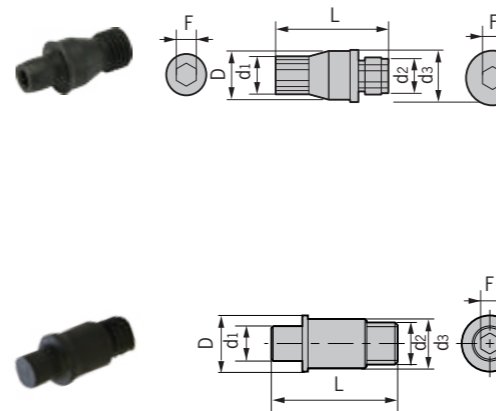


型號 Specification	D	L1	L2	L	H
ML0516	M5*0.8	8	5	16	2.5
ML0520	M5*0.8	7	6	20	2.5
ML0620	M6*1.0	7	7	20	3
ML0625	M6*1.0	8.3	8.3	25	3
ML0828	M8*1.0	12	10	24.7	4

型號 Specification	D	L1	L2	L	H
WL0625	11	6.8	M6*1.0	25	3
WL0825	12.5	7	M8*1.25	28	4

型號 Specification	D	L1	L2	L	H
B0620	10	20	M6*1.0	24	4

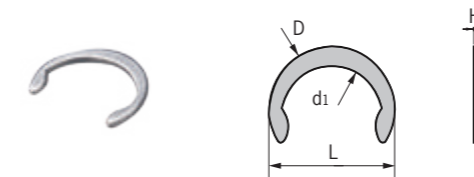
Center Screw Turning Tool Holder  
車刀中心螺釘



型號 Specification	d3	d1	d2	D	L	F
MX0510	4	3.65	M5*0.8	5.6	10.1	2
MX0513	5.46	3.65	M5*0.8	6.2	12.88	2
MX0611	5.15	5	M6*1.0	6.86	11.2	2.5
MX0613	7.07	5	M6*1.0	7.83	15.5	2.5
MX0617	7.17	5	M6*1.0	7.76	17.2	2.5
MX0619	7.1	5	M6*1.0	7.8	18.4	2.5
MX0822	9.45	6.17	M8*1.0	10.2	21.8	3
MX1022	11	7.95	M10*1	11.95	22.1	4

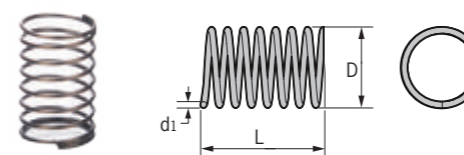
型號 Specification	d3	d1	d2	D	L	F
WX0515	6.2	3.6	M5*0.8	5.5	15.5	2.5
WX0618	7.8	5	M6*1.0	7.2	18	3
WX0822	10.2	6.2	M8*1.0	9.5	22	4

C Ring For W-type Turning Tool Holders  
C形環



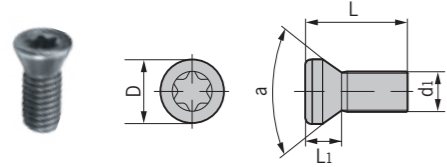
型號 Specification	D	d1	L	H
C6	8	6.5	8	0.5
C8	10	8.5	10	0.5

Spring For GTBR Grooving Tools  
彈簧



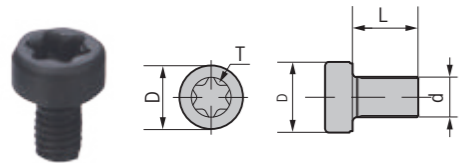
型號 Specification	D	d1	L
SP-0612	7.7	12	0.6

## Clamp Screws For Turning Tool Holder 車刀刀片螺釘



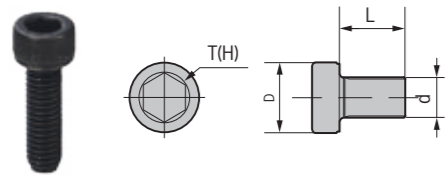
型號 Specification	D	L	L <sub>1</sub>	d <sub>1</sub>	a
M2*4	2.7	3.7	1.2	M2*0.4	60°
M2*5	2.7	4.7	1.2	M2*0.4	60°
M2.2*5	3.2	5	1.7	M2.2*0.45	60°
M2.2*6	3.4	6	1.7	M2.2*0.45	60°
M2.2*7	3.4	7	1.7	M2.2*0.45	60°
M2.5*5	3.7	5	2	M2.5*0.45	44°
M2.5*6	3.7	6	2	M2.5*0.45	44°
M2.5*7	3.7	7	2	M2.5*0.45	44°
M2.5*9	3.7	9	2	M2.5*0.45	44°
M3*6	4.1	6	2	M3*0.5	60°
M3*7	4.1	7	2	M3*0.5	60°
M3.5*7	5.5	7	3	M3.5*0.6	60°
M3.5*8	5.5	8	3	M3.5*0.6	60°
M3.5*9	5.5	9	3	M3.5*0.6	60°
M3.5*12	5.5	12	3	M3.5*0.6	60°
M4*9	5.6	9	2.5	M4*0.7	60°
M4*14	5.7	14.2	3	M4*0.7	60°
M4*15	5.7	15	3	M4*0.7	60°
M5*10	6.3	10	2.8	M5*0.8	44°
M5*12	6.3	12	2.8	M5*0.8	44°
M5*16	6.3	16	2.8	M5*0.8	44°
M5*18	6.3	18	2.8	M5*0.8	44°

## Clamping Screw For Threading Holders 側螺釘



型號 Specification	D	L	L <sub>1</sub>	d <sub>1</sub>
SA3007	5.5	7	2.6	M3*0.5

## Clamping Screw For Grooving Holders 槽刀螺釘



型號 Specification	D	L	L <sub>1</sub>	d <sub>1</sub>
GS030100	5.5	10	3	M3*0.5
GS050120	8.5	12	5	M5*0.8
GS050160	8.5	16	5	M5*0.8
GS060160	10	16	6	M6*1.0
GS060200	10	20	6	M6*1.0
GS060250	10	25	6	M6*1.0

## Z-Axial Zero-Setter Z-量表式Z軸設定器



型號 Specification	形式 Type	總高度 Chief height	伸縮距離 Flex distance
EDS-50	量表式	50	3

### 特點 / Feature

- 將平行規置于標準面。轉動百分表，使長針歸零。將平行規移開。
- 將Z軸設定器置于工件上，刀具接觸操作面，慢速進刀到秒針指在“0”，則刀具與工件的距離是50mm。
- Have the central measuring portion of the zero setter presetter against a plain surface and aligned if with the outer reference surface. Turn the dial gauge for zero setting.
- Have the cutter touched against the Z zero setter. Once the indicator position at zero the distance between the tool tip to workpiece is 50mm.

## Z-Axial Zero Setter (Magnetic) Z-量表式Z軸設定器附磁性



型號 Specification	形式 Type	總高度 Chief height	伸縮距離 Flex distance
ZDI-100	量表式	100	3

## 3D Master 三軸 (3D) 設定器



型號 Specification	柄部直徑 Shank diameter	針頭直徑 Needle diameter
3D-D	20	4

## Mechanical Edge Sensor 機械式尋邊器



型號  
Specification

ME-1020

ME-420

### 使用說明 / Instruction

- Φ10 直柄安裝在夾頭上，以手指輕推測定子，使其偏心約0.5mm。
- 以400-600/min 的速度轉動，使測定子于加工物端面相接觸，一點點地碰觸移動，使測定子不再振動，宛如靜止狀態。
- 再以微動進給碰觸，測定子就會朝一個方向滑移，這個滑移起點就是所需尋求的基準位置。
- 加工物本身的端面位置就是加上測定子半徑的座標位置。
- 不適合在臥式設備上使用。
- Φ10 straight shank head installed in the folder to light that the stator fingers to eccentricity of about 0.5mm.
- The speed of rotation to 400-600/min, so that determination of sub-structures in the processing side face contact, to touch a little bit of movement, so that child is no longer measured vibration, like a static state.
- And then feed in touch fretting determined child would slip in one direction, the slip is a necessary starting point to find the location of the base.
- Processing of the end itself, the location of objects is determined with the coordinates of the location of sub-radius.
- Not suitable for use in cross-type device.

## Electronic Edge Sensor 光電式尋邊器



型號 Specification	柄部直徑 Shank diameter	總長度 Total length	測頭 Probe
PM20	20	147	10
PM32	32	147	10

### 特點 / Feature

- 電池：1.2V
- 紅燈指示
- Battery voltage: 1.2V
- With red LED light

## Spindle Cleaner 清潔棒



型號  
Specification

STC30

STC40

STC50

STC40-HSK

STC50-HSK

STC63-HSK

STC100-HSK

## Tool Lock (Fixed) 立臥式鎖刀座



型號  
Specification

TL-HSK50

TL-HSK63

TL-HSK100

型號  
Specification

TL-SK30

TL-SK40

TL-SK50

型號  
Specification

TL-BT30

TL-BT40

TL-BT50

## Tool Lock (Multi-direction) 萬向式鎖刀座



型號  
Specification

TLW-BT30

TLW-BT40

TLW-BT50

## Trolley For Tool Holder 刀庫車



型號  
Specification

TTH-30

TTH-40

TTH-50

裝刀數  
Amount

36

35

25

## Tooling Sheath 刀柄座



型號  
Specification

TS-30

TS-40

TS-50